

SCM-SLF-GW

GREAT WHITE FLUSH MOUNT SPREADER LIGHT



▶ **MODEL #:** SCM-SLF-GW-WH

▶ **OPERATION**

- When power is applied to the light, the brightness slowly ramps up to full power over approximately 3 seconds
- Toggle power during ramp up to set brightness
- To reset the light, turn off for 10 seconds

▶ **INSTALLATION**

- Cut hole according to template provided
- Connect power and ground
- Put a 1/8" size ball of silicone sealant in screw holes before mounting
- Screw in light

▶ **SPECIFICATIONS**

- Power consumption: 2 amps at 12V and 1 amp at 24V
- Mounting depth: 1.5" [37mm]
- 10-30V DC input
- IP67 (waterproof)
- Durable glass window

▶ **CLEANING INSTRUCTIONS**

- Clean with soap and water with a soft towel or sponge



Designed & Manufactured in Clearwater, FL
© 2022 Shadow-Caster™ LEDs. All Right Reserved.

Shadow-Caster™ LED Lighting | 2060 Calumet Street | Clearwater, FL 33765
p: +1 727.474.2877 e: info@shadow-caster.com w: shadow-caster.com

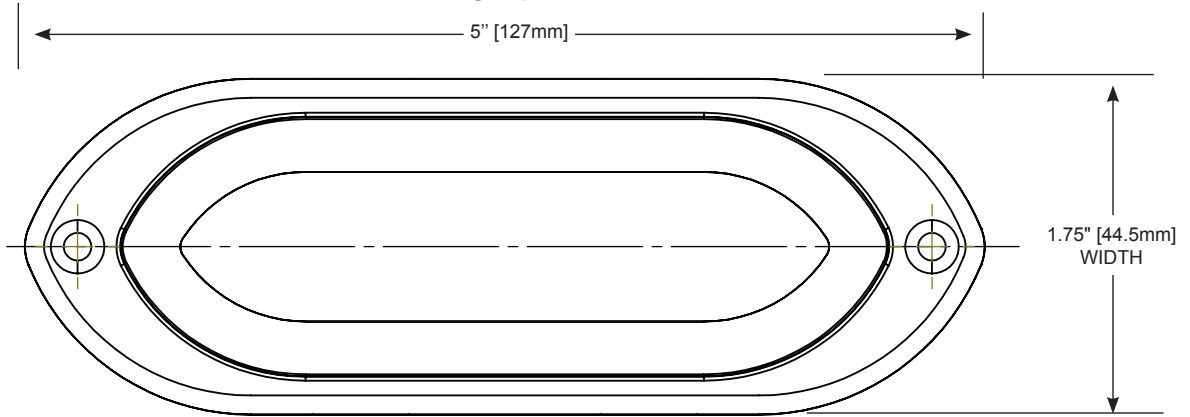
SCM-SLF-GW

GREAT WHITE FLUSH MOUNT SPREADER LIGHT

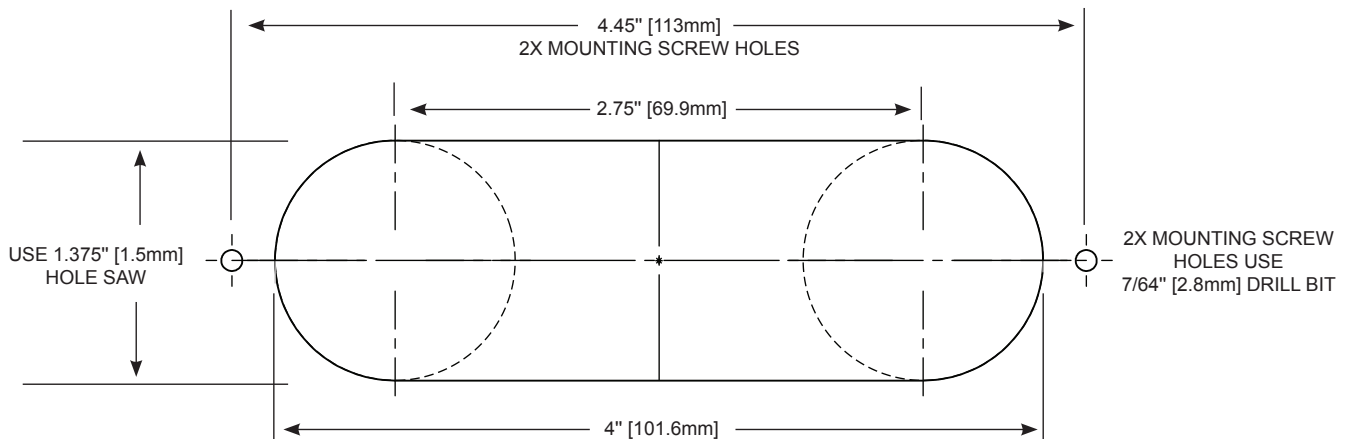


DRAWINGS ARE ACTUAL SIZE

TOP VIEW

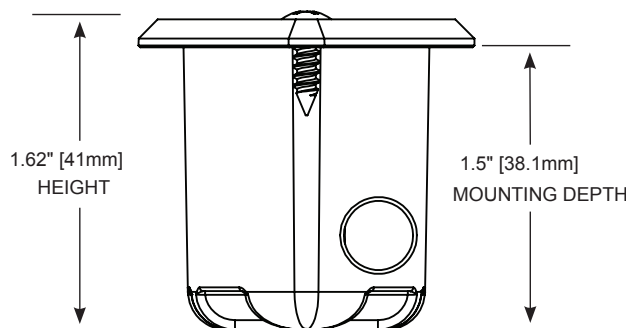


LIGHT HOUSING CUTOUT



MOUNTING TEMPLATE PLEASE PRINT AT
A 1:1 SCALE FOR ACCURACY

RIGHT VIEW



Designed & Manufactured
in Clearwater, FL
© 2022 Shadow-Caster™ LEDs. All Right Reserved.

Shadow-Caster™ LED Lighting | 2060 Calumet Street | Clearwater, FL 33765
p: +1 727.474.2877 e: info@shadow-caster.com w: shadow-caster.com