

SCM-SLB-CC

FULL-COLOR BRACKET MOUNT SPREADER LIGHT



▶ **MODEL #S:** SCM-SLB-CC-BK • SCM-SLB-CC-WH

▶ **OPERATION**

- When power is applied to the light, the brightness slowly ramps up to full power over approximately 3 seconds
- Toggle power during ramp up to set brightness
- Subsequent power toggles will go from white, blue, red, green, aqua, blue-violet, magenta, yellow, purple, orange, green, yellow, back to white
- To reset the light, turn off for 10 seconds
- If Shadow-NET™ is present this will override power toggle control functions

▶ **INSTALLATION**

- Find a suitable location with sufficient clearance for 1/4-20 mounting bolt and routing waterproof cable.
- Connect power and ground. Connect optional Shadow-NET™ wires if Shadow-Caster™ controller is present.

▶ **SPECIFICATIONS**

- Power consumption: 2 Amps at 12V, 1 Amp at 24 Volts
- 10-30V DC input
- IP67 (waterproof)
- Durable glass window

▶ **CLEANING INSTRUCTIONS**

- Clean with soap and water with a soft towel or sponge



Note: No switch required when using Shadow-NET™



Designed & Manufactured in Clearwater, FL
© 2022 Shadow-Caster™ LEDs. All Right Reserved.

Shadow-Caster™ LED Lighting | 2060 Calumet Street | Clearwater, FL 33765
p: +1 727.474.2877 e: info@shadow-caster.com w: shadow-caster.com

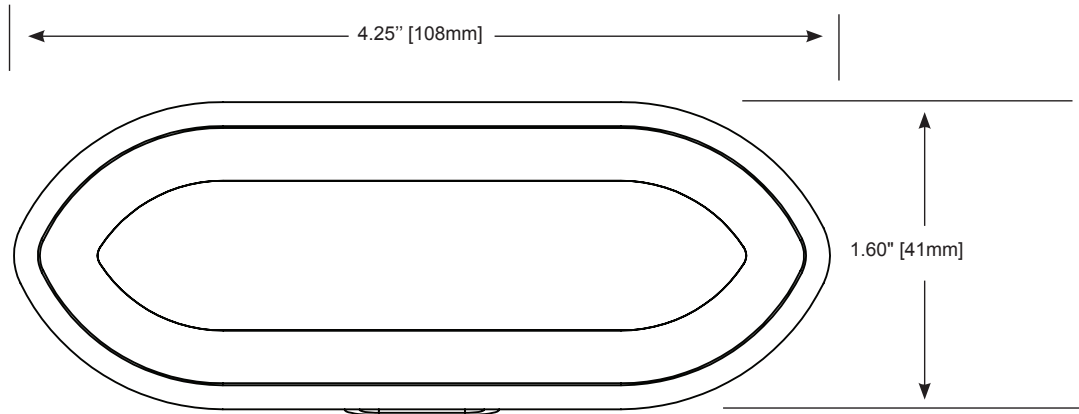
SCM-SLB-CC

FULL-COLOR BRACKET MOUNT SPREADER LIGHT

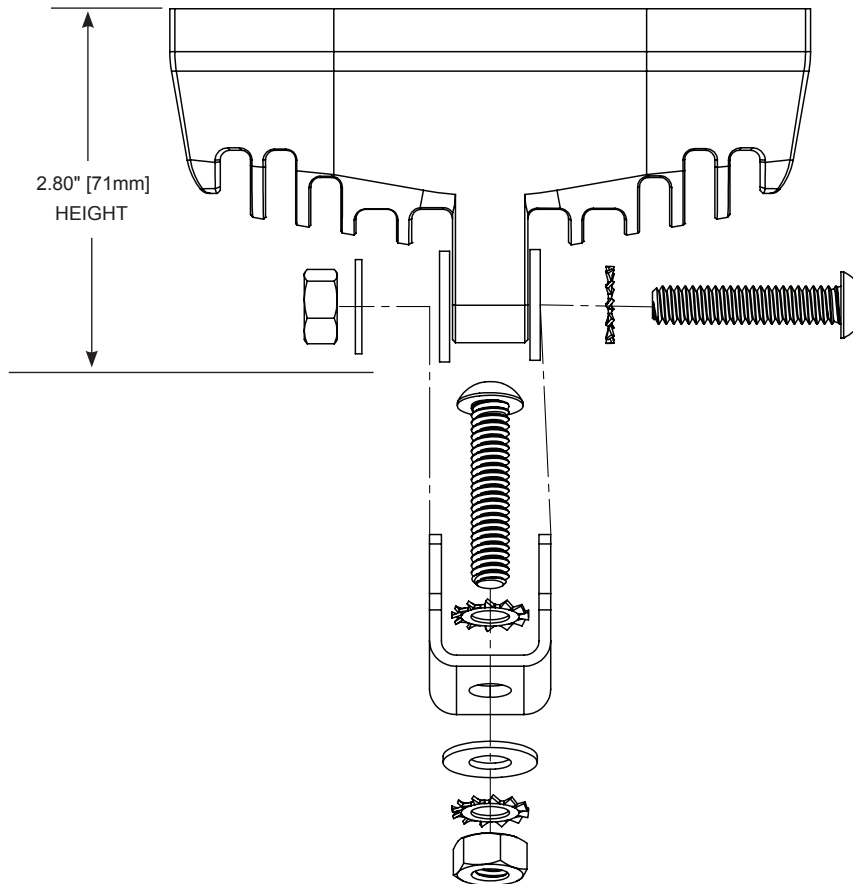


DRAWINGS ARE ACTUAL SIZE

TOP VIEW



SIDE VIEW



Designed & Manufactured
in Clearwater, FL
© 2022 Shadow-Caster™ LEDs. All Right Reserved.

Shadow-Caster™ LED Lighting | 2060 Calumet Street | Clearwater, FL 33765
p: +1 727.474.2877 e: info@shadow-caster.com w: shadow-caster.com