

EAGLE RAY LIGHT BAR

HIGH BRIGHTNESS LIGHT BAR



DESCRIPTION

Utilizing automotive lighting technology and novel beam shaping optics, Shadow-Caster has created the Eagle Ray - a unique light bar with a combination of focused laser-driven white light beams and a wide 60° LED flood array to efficiently light your way.

The focused white lights are ideal for long-distance viewing and penetrating fog, rain, and mist. The beam angle and brightness are adjustable with a push button or the Shadow-Caster® NMEA 2000 Light Commander interface.

LASER FEATURES

- Automotive grade laser-driven white lights for powerful and focused beams
- Blue halo illumination around optics indicate power state
- Blue slide bar indicates power setting for 'Flood' section
- Adjustable 5-100° beam angle control with a switch or MFD interface

FLOOD FEATURES

- 24 bright white LEDs
- Blue accent light strips indicate brightness level
- 60° beam angle
- Adjustable brightness control with a switch or MFD interface

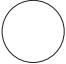
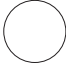
SPECIFICATIONS

- 20,000 lumens
- Billet Aluminum housing in white or black finish
- Remote power triggers to provide simpler installation (main current supply is not controlled through switch)
- Borosilicate glass window
- 10-30V input
- 200W max power
- 16.5A current draw at 12V DC
- 2.5" H x 20" W x 5.4" D [65.3 x 506.5 x 136.9mm]

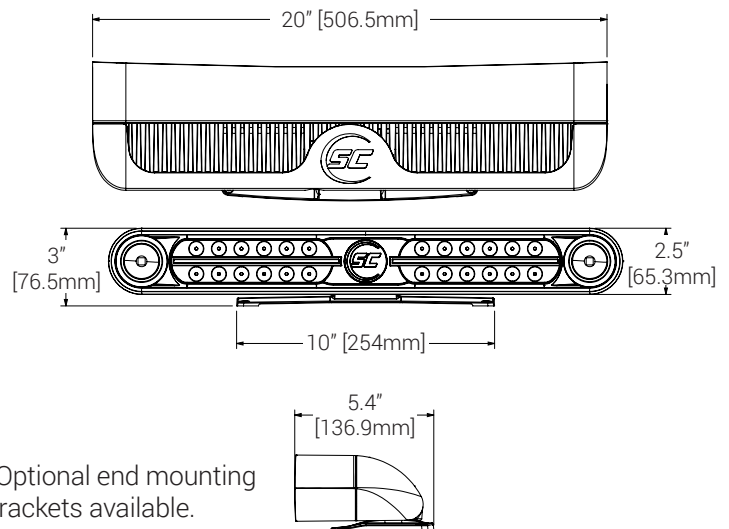
INCLUDES

- 1 Eagle Ray Light Bar
- Adjustable mounting bases and hardware
- 6ft [1m] wiring
- 3 year warranty
- 10 gauge power input wires.



LIGHT COLOR		
	6,500K Bright White	6,500K Bright White
HOUSING COLOR	Black	White
MODEL #	SCM-EAGLE-RAY-BK	SCM-EAGLE-RAY-WH

DIMENSIONS



Designed & Manufactured in Clearwater, FL
© 2024 Shadow-Caster® LEDs. All Right Reserved.

Shadow-Caster® LED Lighting | 2060 Calumet Street | Clearwater, FL 33765
p: +1 727.474.2877 e: info@shadow-caster.com w: shadow-caster.com