

CL10

10" RGBW LED COURTESY LIGHT



▶ **MODELS: SCM-CL10-RGBW-SS**

▶ **THEORY OF OPERATION**

The Shadow-Caster® CL10 Courtesy Light is a 10-inch RGBW light designed for larger areas on your vessel. It features a true white channel for efficient illumination and a sleek, low-profile, IP67-rated design. The CL10 is versatile for mounting in compartments, steps, and shelves, offering reliable and functional lighting with flexible control options.

▶ **OPERATION**

- When power is applied to the CL10 Courtesy Light, it provides full illumination instantly with no ramp-up delay.
- The light is controlled via the RGBW controller or compatible switch. Adjust colors and brightness using the controller for customized lighting effects.

▶ **SPECIFICATIONS**

- Light Output: Up to 250 lumens of white light
- Power Consumption: 240mA per RGBW channel (Red, Green, Blue, White)
- Input Voltage: 12V DC, 1A max
- Dimensions: 10.12" x 1.01" x 0.63" (257.2 x 25.6 x 16mm)
- Material: 316 stainless steel polished covers
- Waterproof Rating: IP67 (fully immersible)
- Wiring: 5-conductor RGBW wire

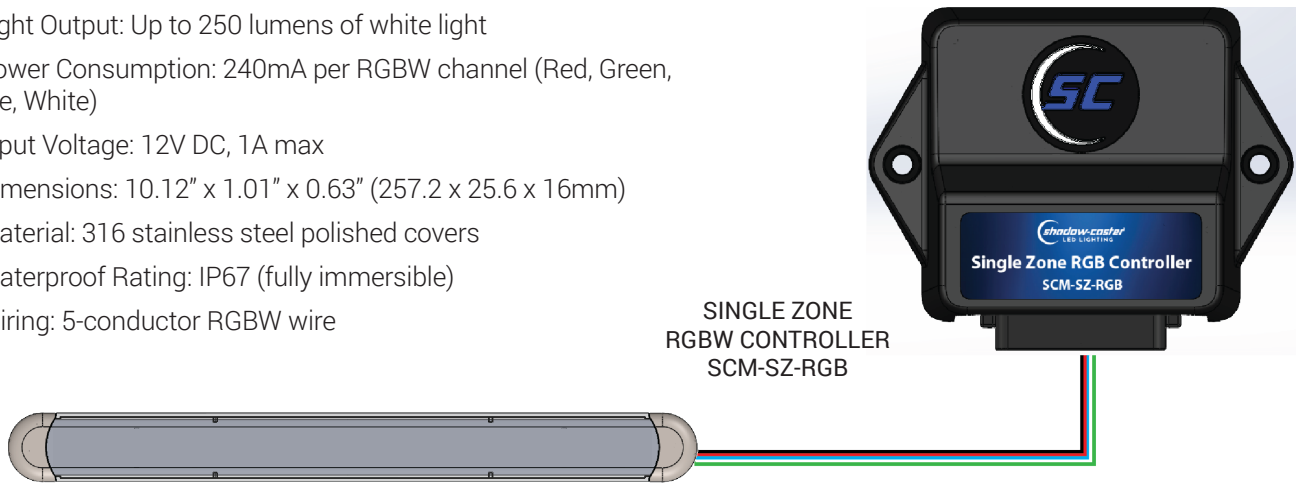
▶ **INSTALLATION**

- Drill mounting holes according to template provided
- Connect power and ground and optional Shadow-NET
- Put a 1/8" size ball of silicone sealant in screw holes before mounting
- Screw in light
- Stainless steel covers slide in from the ends

▶ **CLEANING INSTRUCTIONS**

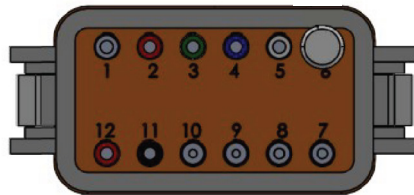
- Clean with soap and water with a soft towel or sponge

▶ **WIRING & USE SCHEMATIC**



COURTESY LIGHT
SCM-CL10-RGBW-SS

SINGLE ZONE
RGBW CONTROLLER
SCM-SZ-RGB



RGBW CONTROLLER
CONNECTOR PINS

PIN CHART				
PIN	GAUGE	COLOR	LABEL	DESCRIPTION
1	16	BLACK / RED STRIPE	V-OUT	+V-OUT
2	16	RED	RED-CH	RED OUT
3	16	GREEN	GRN-CH	GREEN OUT
4	16	BLUE	BL-CH	BLUE OUT
5	16	WHITE	WH-CH	WHITE OUT
6	NOT USED	PLUGGED		
7	18	RED / WHITE STRIPE	DN/OFF	ON/OFF
8	18	BLUE / WHITE STRIPE	PB-IN	PUSH BUTTON IN
9	18	ORANGE	CAN-L	CAN LOW
10	18	YELLOW	CAN-H	CAN HIGH
11	16	BLACK	GND	GROUND
12	16	RED	+IN	POWER IN

CL10 Wire Colors	
Black	+12V input
Red	Red Channel Ground
Green	Green Channel Ground
Blue	Blue Channel Ground
White	White Channel Ground



Designed & Manufactured
in Clearwater, FL

© 2024 Shadow-Caster® LEDs. All Right Reserved.

Shadow-Caster® LED Lighting | 2060 Calumet Street | Clearwater, FL 33765
p: +1 727.474.2877 e: info@shadow-caster.com w: shadow-caster.com

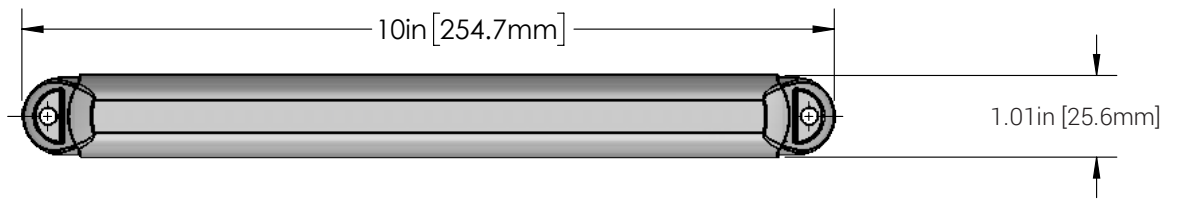
CL10

10" RGBW LED COURTESY LIGHT

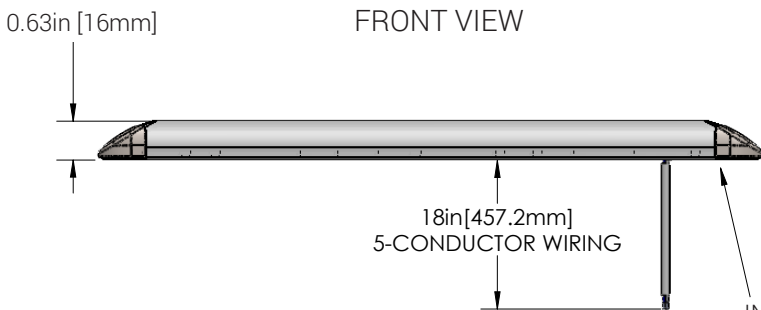


MOUNTING INSTRUCTIONS

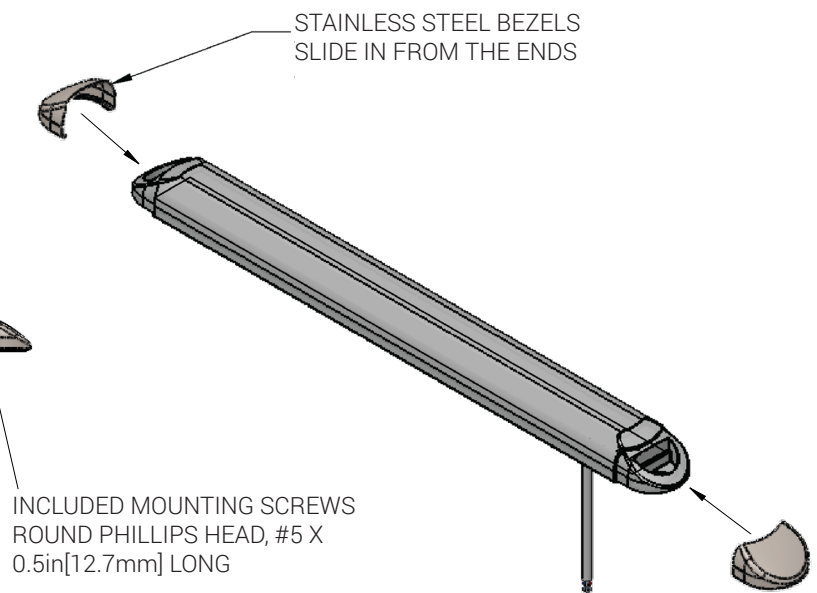
1. Select a flat and easily accessible surface on your vessel where the CL10 Courtesy Light can be securely mounted.
2. Clean the mounting surface to remove any debris or contaminants that could affect adhesion or sealing.
3. Print the provided template to mark the screw holes and the hole for the wiring.
4. Drill the necessary holes according to the template. Be sure to drill carefully to avoid damaging the surrounding area.
5. Apply a 1/8" size ball of silicone sealant into each screw hole to ensure a watertight seal.
6. Feed the wiring through the center hole.
7. Apply a thin bead of silicone sealant around the edge of the light to create an additional waterproof seal.
8. Position the CL10 Courtesy Light over the drilled holes, ensuring it is aligned properly.
9. Insert the screws into the pre-drilled holes and tighten them securely to hold the light in place.
10. Check that the light is securely mounted and the sealant is evenly applied.
11. Wipe away any excess sealant for a clean finish.
12. Stainless steel covers slide in from the ends.



TOP VIEW



FRONT VIEW



STAINLESS STEEL BEZELS
SLIDE IN FROM THE ENDS

INCLUDED MOUNTING SCREWS
ROUND PHILLIPS HEAD, #5 X
0.5in [12.7mm] LONG



Designed & Manufactured
in Clearwater, FL
© 2024 Shadow-Caster® LEDs. All Right Reserved.

Shadow-Caster® LED Lighting | 2060 Calumet Street | Clearwater, FL 33765
p: +1 727.474.2877 e: info@shadow-caster.com w: shadow-caster.com

CL10

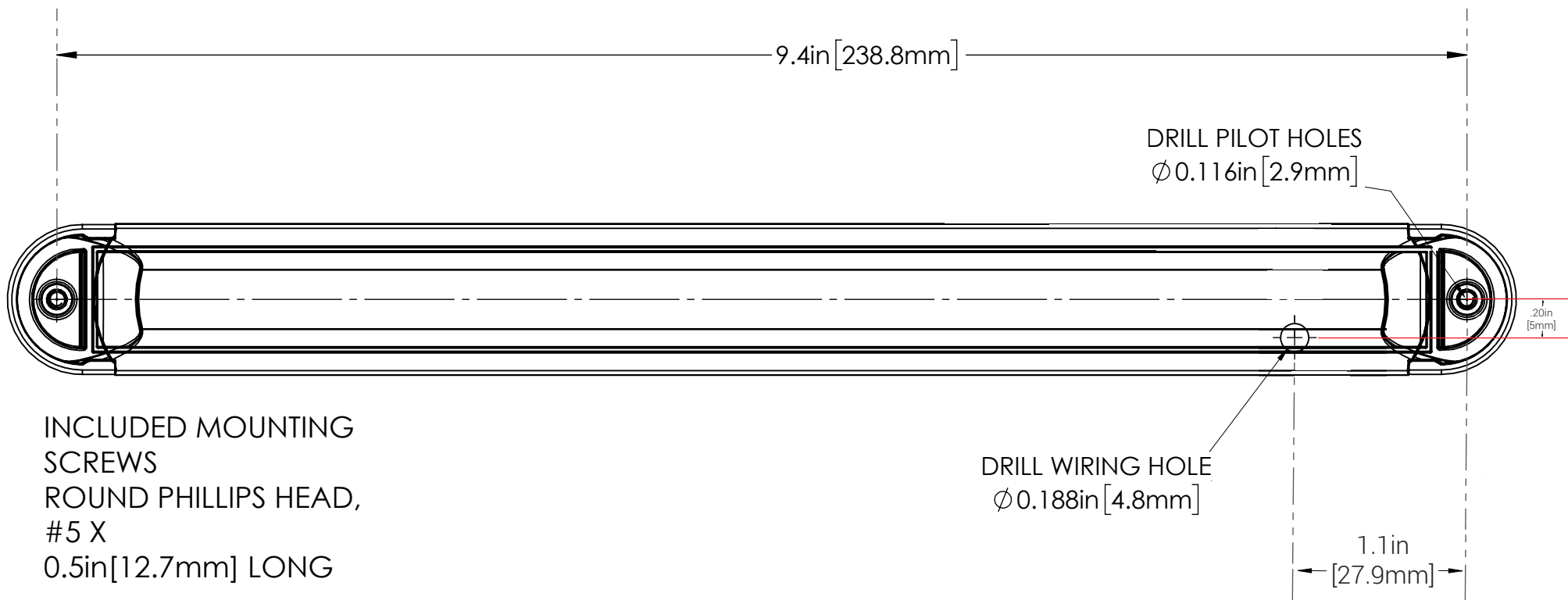
10" RGBW LED COURTESY LIGHT



▶ MOUNTING TEMPLATE

IMPORTANT!

When printing installation templates, please ensure your printer is set to print at 'Actual Size' and double check all printed dimensions exactly match the specified dimensions.



INCLUDED MOUNTING
SCREWS
ROUND PHILLIPS HEAD,
#5 X
0.5in [12.7mm] LONG



Designed & Manufactured
in Clearwater, FL
© 2024 Shadow-Caster® LEDs. All Right Reserved.

Shadow-Caster® LED Lighting | 2060 Calumet Street | Clearwater, FL 33765
p: +1 727.474.2877 e: info@shadow-caster.com w: shadow-caster.com