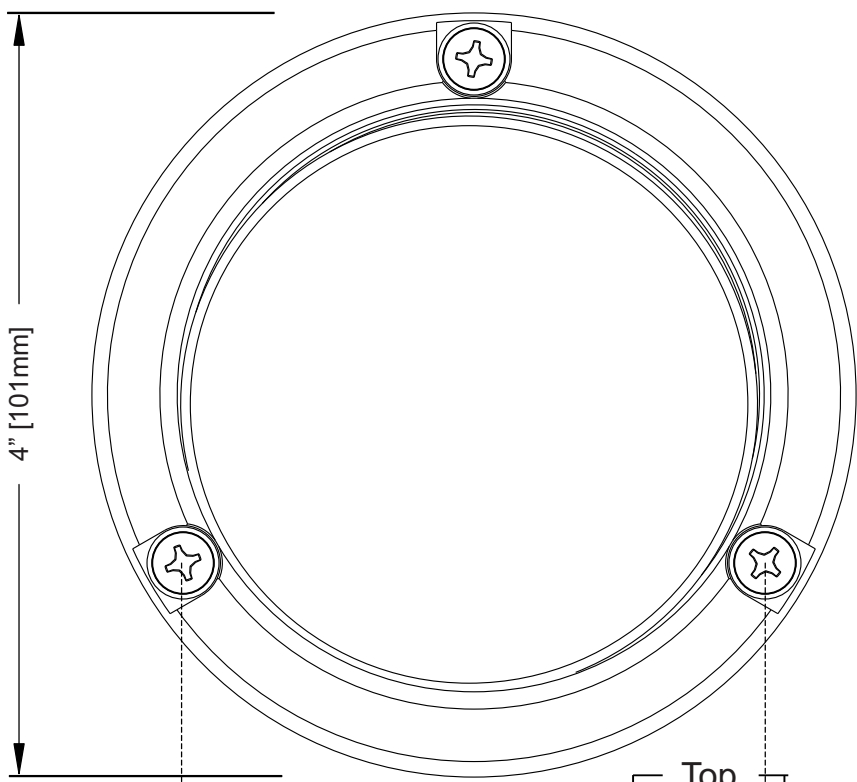
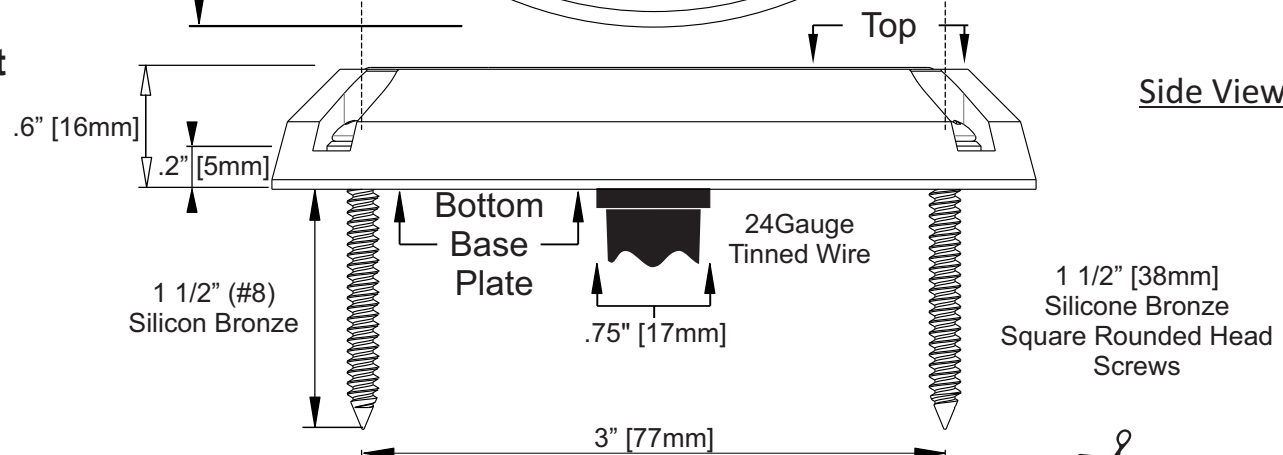


Top View



Side View



PLEASE READ INSTRUCTIONS INSIDE TEMPLATE



TAPE HERE

TAPE HERE

DO NOT USE TEMPLATE TO MARK SCREW HOLES

DO NOT USE TEMPLATE TO MARK SCREW HOLES

FOR CENTER WIRE HOLE USE THE FOLLOWING:

- 1st - DRILL PILOT HOLE AT CENTER FOR THE WIRE, THEN USE 3/4" DRILL ALL THE WAY THROUGH
- 2nd - RUN WIRE THROUGH THE HOLE AND MARK ONE MOUNTING HOLE LOCATION
- 3rd - FOLLOW STEPS ON FRONT OF SHEET FOR DRILLING MOUNTING HOLES

WHEN PRE-DRILLING SCREWS:
FIRST PRE-DRILL CENTER HOLE AND RUN WIRE. THEN MARK YOUR SCREW HOLES WITH DRILL BIT OR PENCIL WHILE USING ACTUAL LIGHT HOUSING

WHEN PRE-DRILLING SCREWS:
FIRST PRE-DRILL CENTER HOLE AND RUN WIRE. THEN MARK YOUR SCREW HOLES WITH DRILL BIT OR PENCIL WHILE USING ACTUAL LIGHT HOUSING

Scale 1:1 (if in doubt ask)

TAPE HERE

TAPE HERE