

SCM-DL-WBR

WHITE, BLUE AND RED DOWN LIGHT



▶ OPERATION

- When power is applied to the SCM-Down Light, the brightness slowly ramps up to full power over 3 seconds
- Toggle power during ramp up to set brightness
- Subsequent power toggles will go from white/blue/red/back to white
- To reset the light, turn off for 10 seconds

▶ INSTALLATION

- Drill 1-1/4" hole in desired mounting location
- Mount the retainer clip with the provided #4 pan head screws
- Verify the clip is flat on the mounting surface

Available Color: White



- Put a 1/8" size ball of silicone sealant over each screw head
- Connect power and ground wire
- Gently push the light housing onto the retaining ring and rotate until it drops (clicks) firmly into place

▶ SPECIFICATIONS

- Power consumption: 3 Watts, 250mA at 12V, 125mw at 24V
- 10-30V DC input
- IP67 (waterproof)
- Borosilicate glass window



Designed & Manufactured
in Clearwater, FL

© 2021 Shadow-Caster® LEDs. All Right Reserved.

Shadow-Caster® LED Lighting | 2060 Calumet Street | Clearwater, FL 33765

p: +1 727.474.2877 e: info@shadow-caster.com w: shadow-caster.com

SCM-DL-WBR

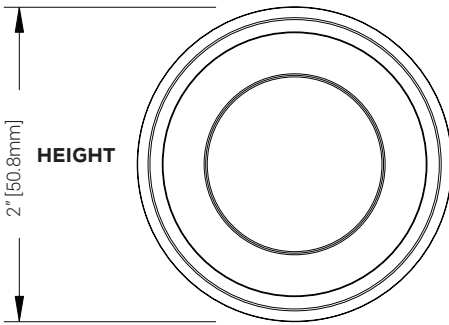
WHITE, BLUE AND RED DOWN LIGHT



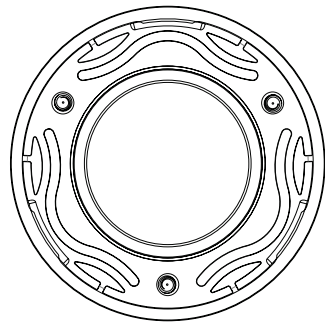
WARNING!

Do not use **Acetone** for cleaning. Use alcohol and soft cloth.

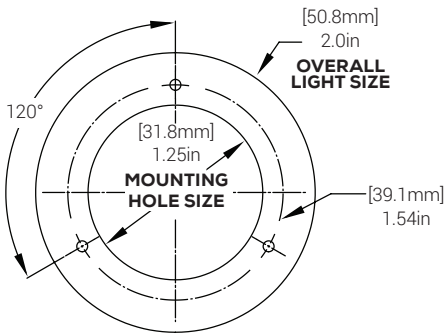
TOP VIEW



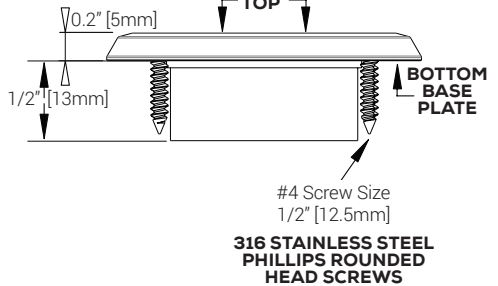
BOTTOM VIEW



INSTALLATION DIAGRAMS



SIDE VIEW



Designed & Manufactured
in Clearwater, FL
© 2021 Shadow-Caster® LEDs. All Right Reserved.

Shadow-Caster® LED Lighting | 2060 Calumet Street | Clearwater, FL 33765
p: +1 727.474.2877 e: info@shadow-caster.com w: shadow-caster.com