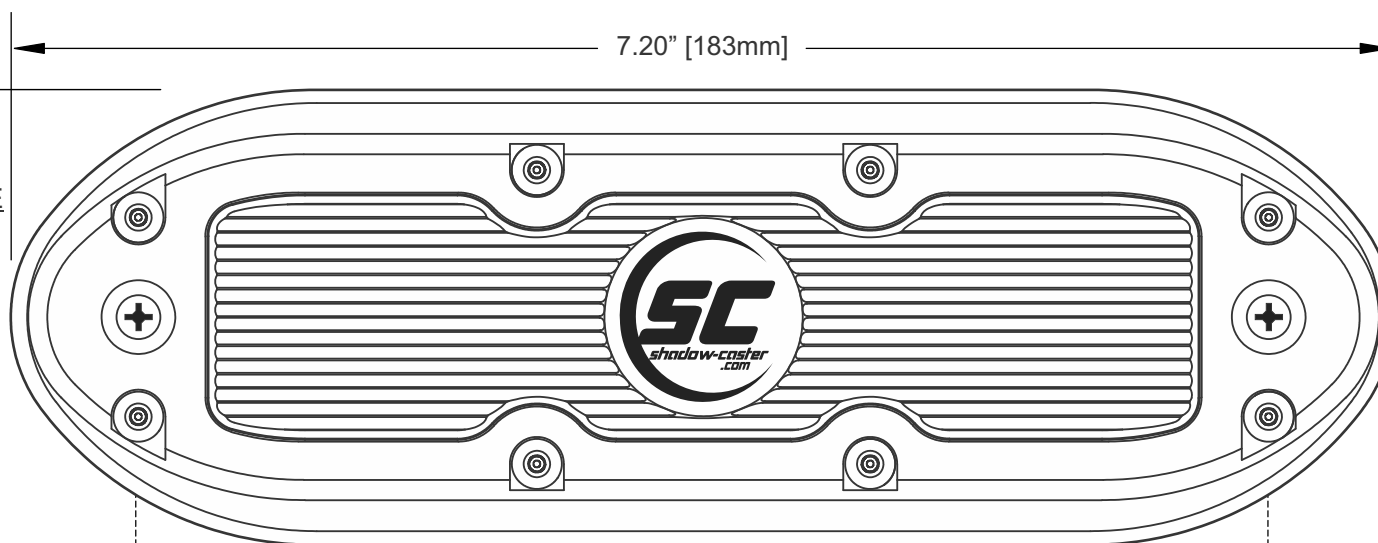
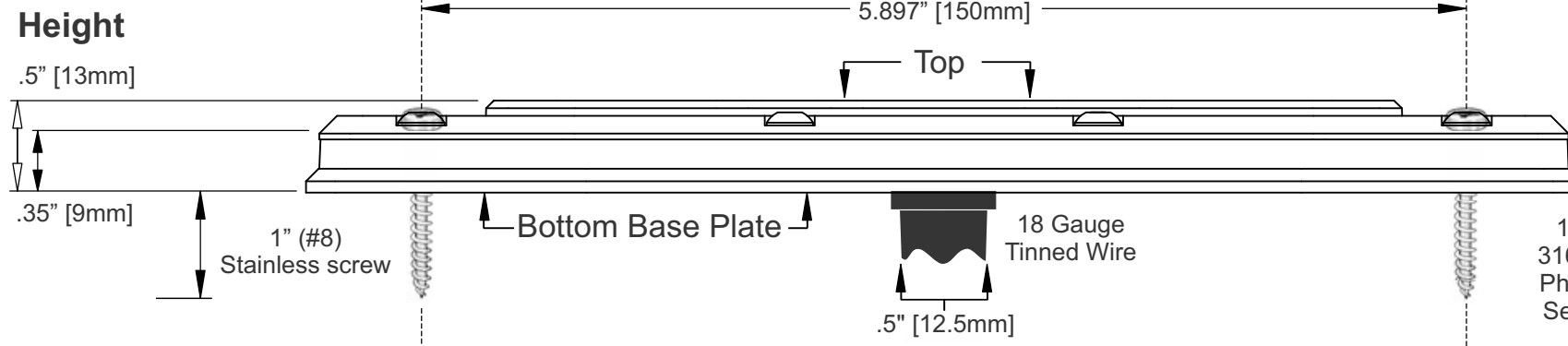


Top View

WARNING!
Do Not Use ACETONE
To Clean The
Polycarbonate Lens.
Use Alcohol
and Soft Cloth.



Side View

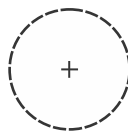


PLEASE READ INSTRUCTIONS INSIDE TEMPLATE

FOR CENTER WIRE HOLE USE THE FOLLOWING:

1st - DRILL PILOT HOLE AT CENTER FOR THE WIRE, THEN USE 5/8" DRILL ALL THE WAY THROUGH

2nd - RUN WIRE THROUGH THE HOLE AND MARK ONE MOUNTING HOLE LOCATION
3rd - FOLLOW STEPS ON FRONT OF SHEET FOR DRILLING MOUNTING HOLES



SCM-6™
Typical Power Requirements
2 Amps@12v

DO NOT USE TEMPLATE TO MARK SCREW HOLES

WHEN PRE-DRILLING SCREWS:
FIRST PRE-DRILL CENTER HOLE AND RUN WIRE. THEN MARK YOUR SCREW HOLES WITH DRILL BIT OR PENCIL WHILE USING ACTUAL LIGHT HOUSING

DO NOT USE TEMPLATE TO MARK SCREW HOLES

WHEN PRE-DRILLING SCREWS:
FIRST PRE-DRILL CENTER HOLE AND RUN WIRE. THEN MARK YOUR SCREW HOLES WITH DRILL BIT OR PENCIL WHILE USING ACTUAL LIGHT HOUSING

Scale 1:1 (If in doubt ask)

TAPE HERE

TAPE HERE