

# SCM-DL-GW

GREAT WHITE DOWN LIGHT



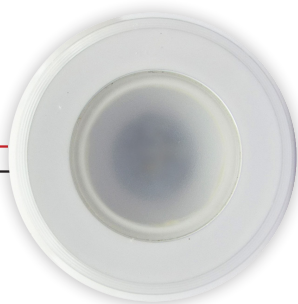
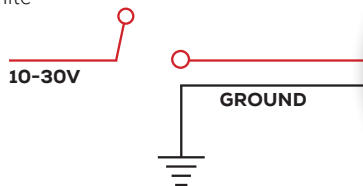
## ▶ OPERATION

- When power is applied to the SCM-Down Light, the brightness slowly ramps up to full power over approximately 3 seconds
- Toggle power during ramp up to set brightness
- To reset the light, turn off for 10 seconds

## ▶ INSTALLATION

- Drill 1-1/4" hole in desired mounting location
- Mount the retainer clip with the provided #4 pan head screws
- Verify the clip is flat on the mounting surface

**Available Color:** White



- Put a 1/8" size ball of silicone sealant over each screw head
- Connect power and ground wires
- Gently push the light housing onto the retaining ring and rotate until it drops (clicks) firmly into place

## ▶ SPECIFICATIONS

- Power consumption: 3 Watts, 250mA at 12V, 125mw at 24V
- 10-30V DC input
- IP67 (waterproof)
- Borosilicate glass window



Designed & Manufactured  
in Clearwater, FL  
© 2021 Shadow-Caster® LEDs. All Right Reserved.

Shadow-Caster® LED Lighting | 2060 Calumet Street | Clearwater, FL 33765  
p: +1 727.474.2877 e: info@shadow-caster.com w: shadow-caster.com

**SCM-DL-GW**  
GREAT WHITE DOWN LIGHT

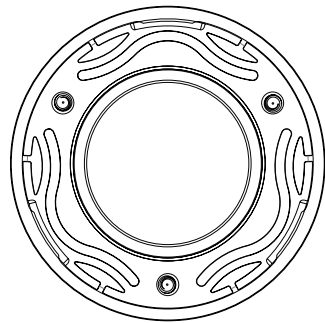
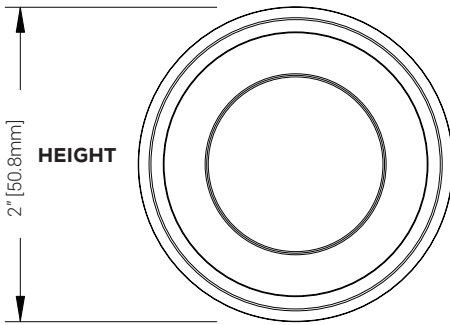


**WARNING!**

Do not use **Acetone** for cleaning. Use alcohol and soft cloth.

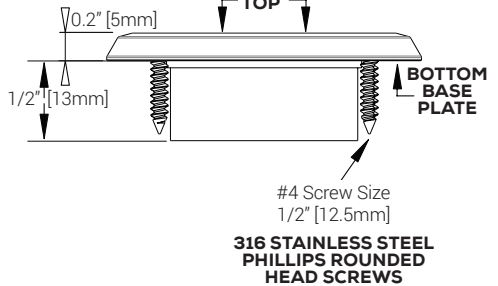
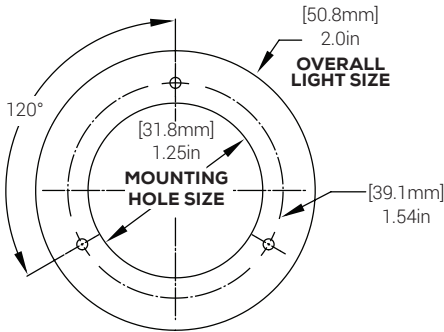
**TOP VIEW**

**BOTTOM VIEW**



**INSTALLATION DIAGRAMS**

**SIDE VIEW**



Designed & Manufactured  
in Clearwater, FL  
© 2021 Shadow-Caster® LEDs. All Right Reserved.

Shadow-Caster® LED Lighting | 2060 Calumet Street | Clearwater, FL 33765  
p: +1 727.474.2877 e: info@shadow-caster.com w: shadow-caster.com